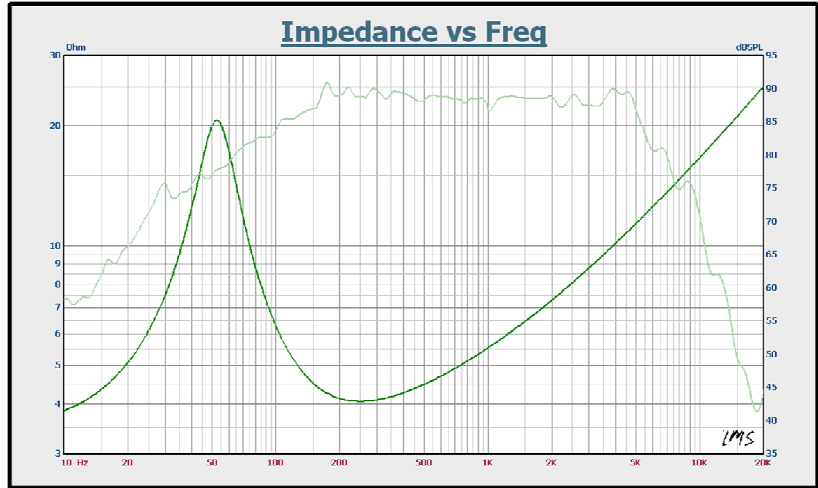


## DRIVER SPECIFICATIONS

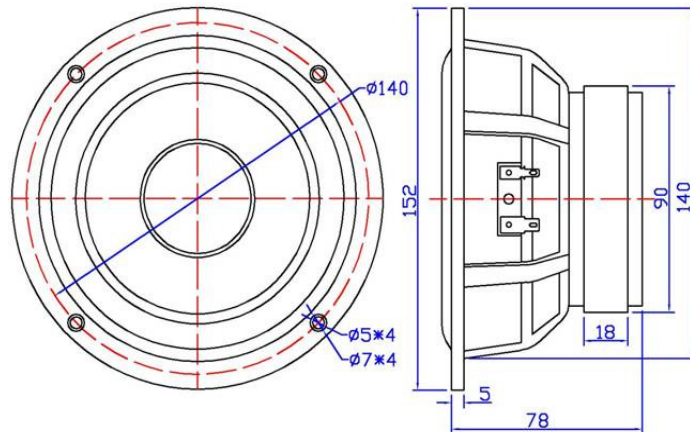
### Parameter

F <sub>0</sub>	52 Hz ± 20%
SPL <sub>0</sub> ( 1m/1w)	86dB±2dB
Q <sub>ts</sub>	0,42
V <sub>as</sub>	9.8 Litr
Rated Impedance	4 Ω ± 15%
Rated power	50 Watts
Long Term Power	100 Watts
Fr. Response	52Hz~7KHz
Shielding	NO



### Structure of Driver

Diaphragm	Kevlar
Frame/panel	Aluminum
Magnet Diameter	φ 90mm
Magnet Weight	490g/17.3oz.
voice Coil	ASV φ 25.5mm
Weight	1.15kg



### Picture

